

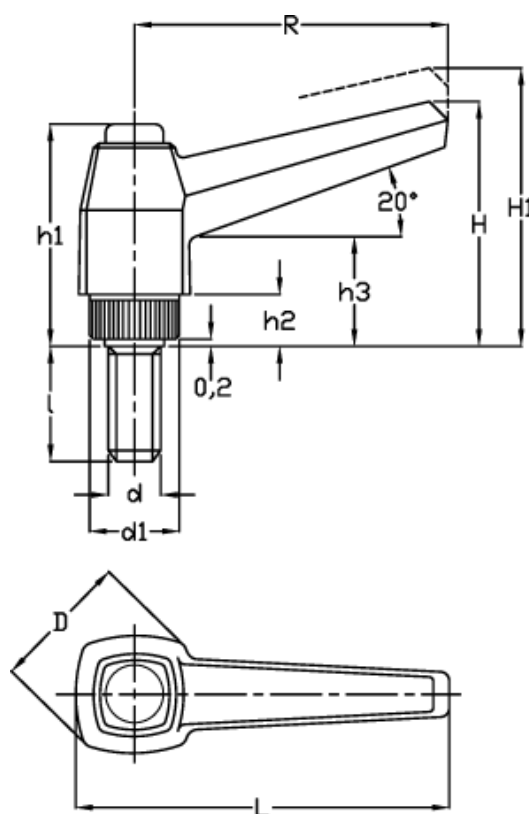
Data Sheet



Article number: 2303141301

Description: E+G Adjustable handle w/threaded stud
MRX.40 p-M6x10

Measures



D	= 18	I	= 10
d1	= 12	L	= 50
d 6g	= M6	Number of teeth	= 18
H	= 32	R	= 42
h1	= 29		
H1	= 35.5		
h2	= 6		
h3	= 14		